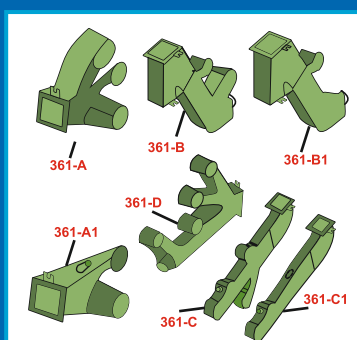
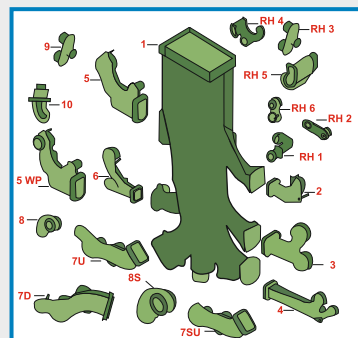
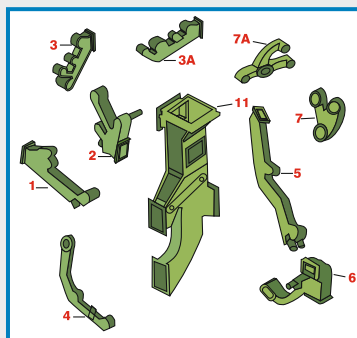
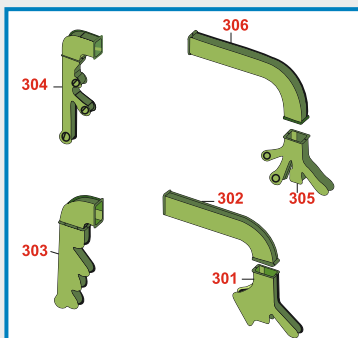




LAKSHMI CARD COPS TECHNO ENGINEERING

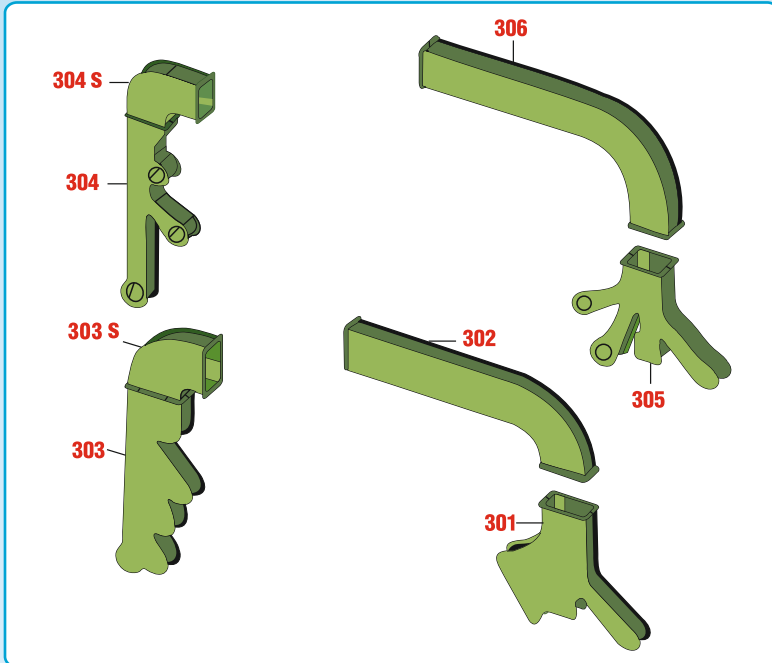
EFFECTIVE CARD CLEANING & EFFICIENT SPINNING

ALL TYPES OF CARDING SUCTION DUCTS



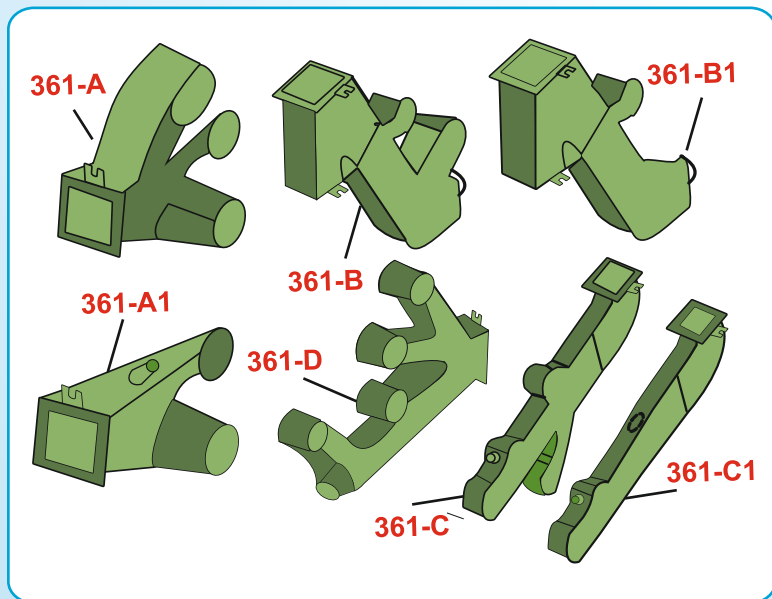
LC CARDING SUCTION DUCTS

(Suitable for LC 300A, LC 300A V3 & LC 300A V4 CARDS)

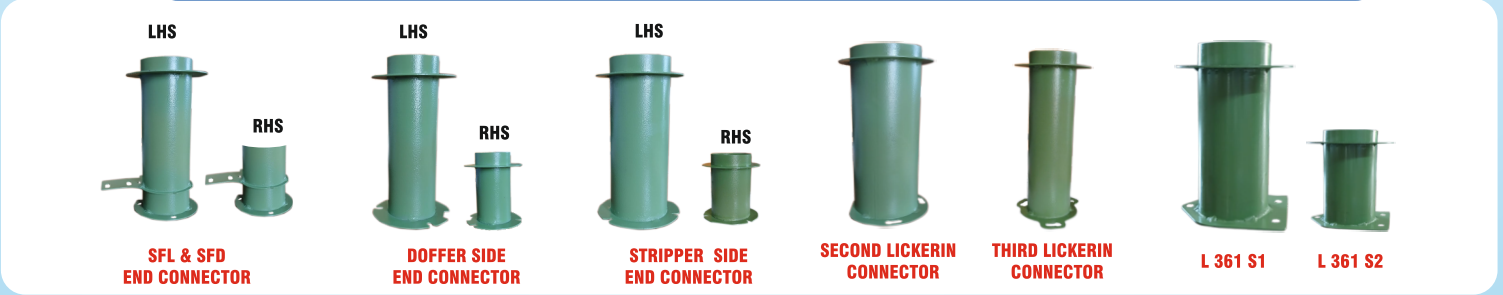


LC CARDING MACHINE DUCTS

(Suitable for LC 333, LC 361 & LC 363 CARDS)



STEEL MADE END CONNECTOR SUITABLE FOR LC333, LC 361, & LC 363 CARDS



LC CARDING PLC KIT (SUITABLE FOR LC 300 A, LC 300A V3 & LC 300A V4 CARDS)

<p>LH FRONT SFD SIDE DUCT</p>  <p>DRG No : LC301</p>	<p>LH BACK SFL SIDE DUCT</p>  <p>DRG No : LC303</p>	<p>RH BACK SFL SIDE DUCT</p>  <p>DRG No : LC304</p>	<p>RH FRONT SFD SIDE DUCT</p>  <p>DRG No : LC305</p>
<p>LH FRONT SFD SIDE PLC DUCT</p>  <p>DRG No : LCCTE PLC LC301</p>	<p>LH BACK SFL SIDE PLC DUCT</p>  <p>DRG No : LCCTE PLC LC303</p>	<p>RH BACK SFL SIDE PLC DUCT</p>  <p>DRG No : LCCTE PLC LC304</p>	<p>RH FRONT SFD SIDE PLC DUCT</p>  <p>DRG No : LCCTE PLC LC305</p>
<p>LH TOP FRONT SIDE DUCT</p>  <p>DRG No : LC302</p>	<p>LH BACK LICKERIN SIDE TOP DUCT</p>  <p>DRG No : LC303 S</p>	<p>RH BACK LICKERIN SIDE TOP DUCT</p>  <p>DRG No : LC304 S</p>	<p>RH FRONT SIDE DUCT</p>  <p>DRG No : LC306</p>

LC CARDING PLC KIT (SUITABLE FOR LC 333, LC 361, LC 363)

<p>LH BACK SFL SIDE PLC DUCT</p>  <p>DRG No:LCCTE PLC LC361AA</p>	<p>RH BACK SFL SIDE PLC DUCT</p>  <p>DRG No:LCCTE PLC LC361BB</p>	<p>RH FRONT SFD SIDE PLC DUCT</p>  <p>DRG No:LCCTE PLC LC361CC</p>	<p>LH FRONT SFD SIDE PLC DUCT</p>  <p>DRG No:LCCTE PLC LC361DD</p>	<p>LH LICKERIN SIDE PLC DUCT</p>  <p>DRG No:LCCTE PLC LC361EE</p>
---	--	---	--	--

**CARDING MODE KNIFE
(SUITABLE FOR LC, DK & TC CARDING MACHINE)**

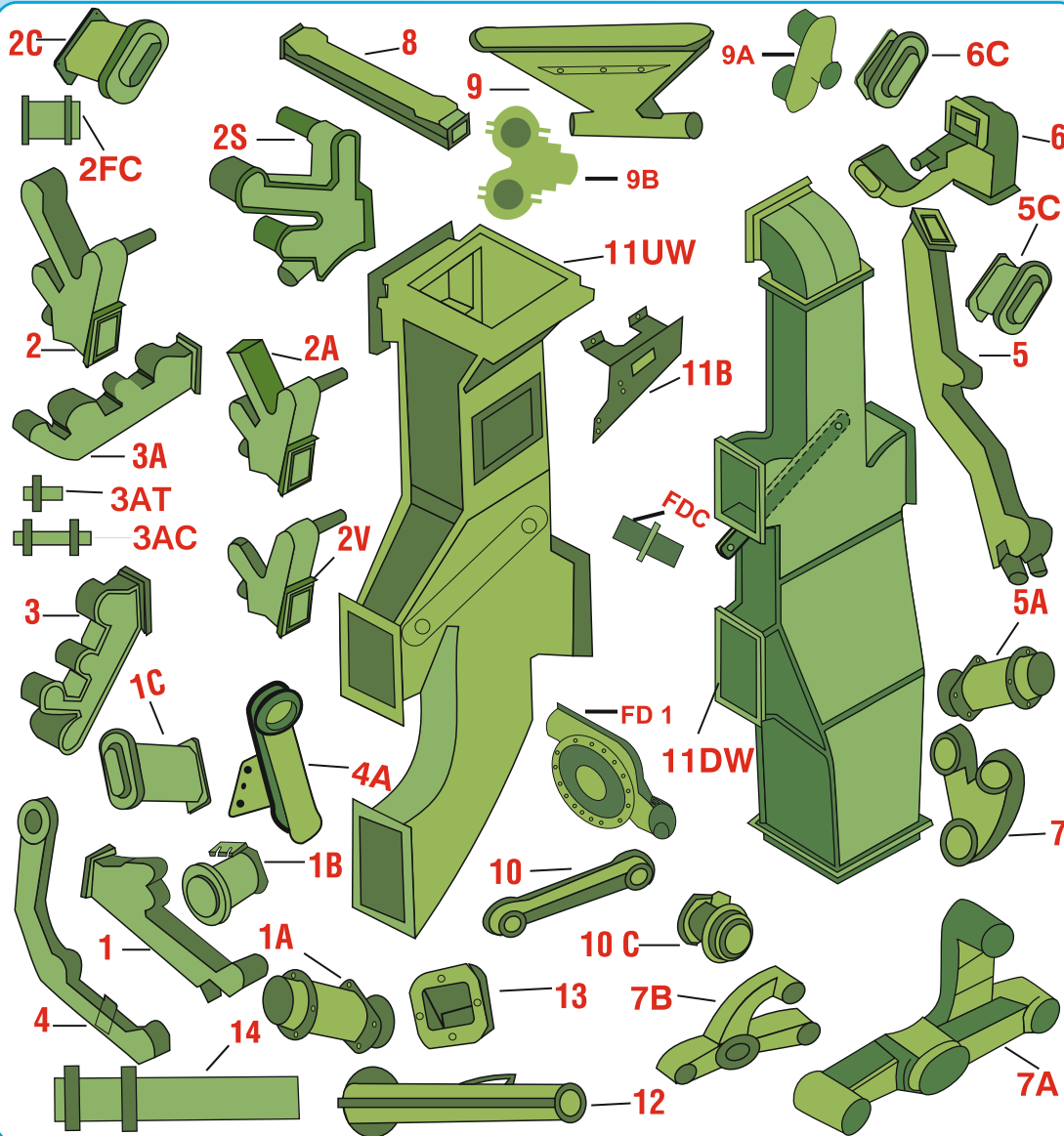


**PLC KIT QR CODE
(FOR LC 300A, LC300A V3 & LC 300A V4)**



DK CARDING SUCTION DUCTS

(Suitable for DK 760, DK 780, DK 800, DK 803 & DK 903 CARDS)



DK CARDING WASTE STUDY DUCTS

DRAWING NO: DK 1 WC



LH DOFFER SIDE WASTE STUDY DUCT

DRAWING NO: DK 2 WC



LH FLAT SIDE WASTE STUDY DUCT

DRAWING NO: DK 3 WC



LH LICKERIN SIDE WASTE STUDY DUCT

DRAWING NO: DK 3A WC



LH LICKERIN WASTE STUDY DUCT

DRAWING NO: DK 7A WC



LH LICKERIN SIDE WASTE STUDY DUCT





DRAWING NO	DK CARDING PRODUCT DESCRIPTION
DK 1	LH DOFFER SIDE DUCT
DK 1A	LH STRIPPER CONNECTOR
DK 1B	LH BELOW SFD CONNECTOR
DK 1C	LH SFD CONNECTOR
DK 2	LH FLAT SIDE DUCT
DK 2A	LH FLAT SIDE DUCT (FLAT WAST SEPARATE)
DK 2S	LH FLAT SIDE DUCT (FOR DK 800 & DK 903)
DK 2V	LH FLAT SIDE DUCT (FOR DK 800)
DK 2C	LH SFL END CONNECTOR
DK 2FC	LH FLAT CONNECTOR
DK 3	LH LICKERIN SIDE DUCT
DK 3A	LH LICKERIN SIDE DUCT (FOR DK 803 & DK 903)
DK 3AC	LH LICKERIN SIDE CONNECTOR (FOR DK 803 & DK 903)
DK 3AT	LH LICKERIN SIDE TOP CONNECTOR
DK 4	LH CYLINDER UNDER SIDE DUCT
DK 4A	LH CYLINDER UNDER SIDE DUCT (FOR DK 903)
DK 5	RH DOFFER SIDE DUCT
DK 5A	RH STRIPPER CONNECTOR
DK 5C	RH SFD END CONNECTOR

DRAWING NO	DK CARDING PRODUCT DESCRIPTION
DK 6	RH BELT SIDE DUCT
DK 6C	RH SFL END CONNECTOR
DK 7	RH MODIFIED LICKERIN SIDE DUCT
DK 7A	RH LICKERIN SIDE DUCT (FOR DK 803 & DK 903)
DK 7B	RH LICKERIN SIDE DUCT (FOR DK 903)
DK 8	FLAT UPPER SIDE SQUARE DUCT
DK 9	UNDER DOFFER SIDE DUCT
DK 9A	LH CHUT COLLECTOR
DK 9B	LH CHUT COLLECTOR
DK 10	RH UNDER CASING SIDE DUCT
DK 10C	RH UNDER CASING CONNECTOR
DK 11 UW	MAIN DUCT UPWARD
DK 11 DW	MAIN DUCT DOWNWARD
DK 11B	MAIN DUCT BROCKET ALONG WITH SPL SCREW
DK 12	DK STRIPPER WAST COLLECTOR
DK 13	DK SLIVER DELIVERY KNOB
DK 14	DK LICKERIN UNDER SIDE DUCT
DK FD1	CHUTE FAN DUCT (FOR DK803 & DK903)
DK FDC	CHUTE FAN DUCT CONNECTOR (FOR DK803 & DK903)

<p>DRAWING NO : DK 1</p>  <p>LH DOFFER SIDE DUCT</p>	<p>DRAWING NO : DK 2 (FOR DK 760, DK 780, & DK 803)</p>  <p>LH FLAT SIDE DUCT</p>	<p>DRAWING NO : DK 2S (FOR DK800/DK903)</p>  <p>LH FLAT SIDE DUCT</p>	<p>DRAWING NO : DK 2A</p>  <p>LH FLAT SIDE DUCT (FLAT WAST SEPARATE)</p>
--	--	---	--

<p>DRAWING NO : DK 3 (FOR DK 760, DK 780,DK 800)</p>  <p>LH LICKERIN SIDE DUCT</p>	<p>DRAWING NO : DK 4 (FOR DK 760, DK 780, DK 800 & DK 803)</p>  <p>LH CYLINDER UNDER SIDE DUCT</p>	<p>DRAWING NO : DK 3A (FOR DK 803 & DK 903)</p>  <p>LH LICKERIN SIDE DUCT</p>	<p>DRAWING NO : DK 4A (FOR DK 903)</p>  <p>LH CYLINDER UNDER SIDE DUCT</p>
---	---	---	---

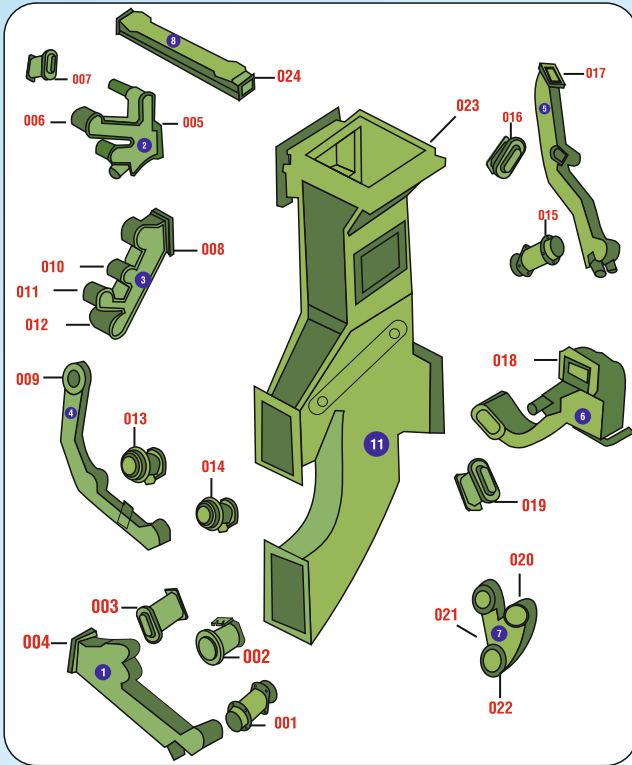
<p>DRAWING NO : DK 5</p>  <p>RH DOFFER SIDE DUCT</p>	<p>DRAWING NO : DK 6</p>  <p>RH BELT SIDE DUCT</p>	<p>DRAWING NO : DK 7 (FOR DK 760, DK 780, & DK 803)</p>  <p>RH LICKERIN SIDE DUCT</p>	<p>DRAWING NO : DK 7A (FOR DK 803 & DK 903)</p>  <p>RH LICKERIN SIDE DUCT</p>
---	--	--	---

<p>DRAWING NO : DK 7B (FOR DK 903)</p>  <p>RH LICKERIN SIDE DUCT</p>	<p>DRAWING NO : DK 8</p>  <p>FLAT UPPER SIDE SQUARE DUCT</p>	<p>DRAWING NO : DK 9</p>  <p>UNDER DOFFER SIDE DUCT</p>	<p>DRAWING NO : DK 10 (FOR DK 903)</p>  <p>RH UNDER CASING SIDE DUCT</p>
---	---	---	---

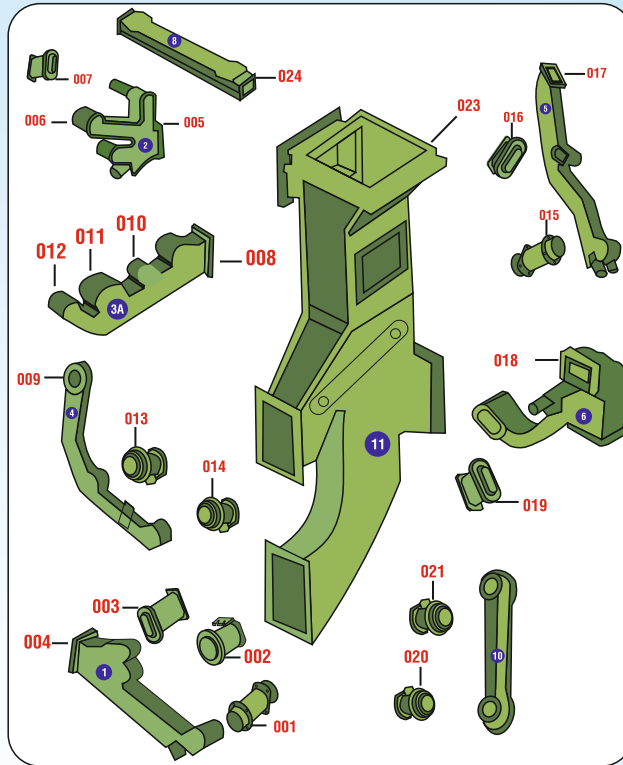
<p>DRAWING NO : DK 11 UW</p>  <p>MAIN DUCT UPWARD</p>	<p>DRAWING NO : DK 11 DW</p>  <p>MAIN DUCT UPWARD</p>	<p>DRAWING NO :TC FD 1</p>  <p>CHUTE FAN DUCT</p>	<p>DRAWING NO : DK 1C,2C,5C & 6C</p>  <p>LH & RH SFL SFD CONNECTER</p>
--	--	---	---



DK 760, DK 780 & DK 800 CARDS)

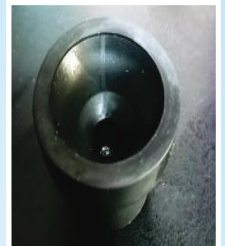


DK 803 & DK 903 CARDS



TC CARDING RUBBER
RING HOLDER

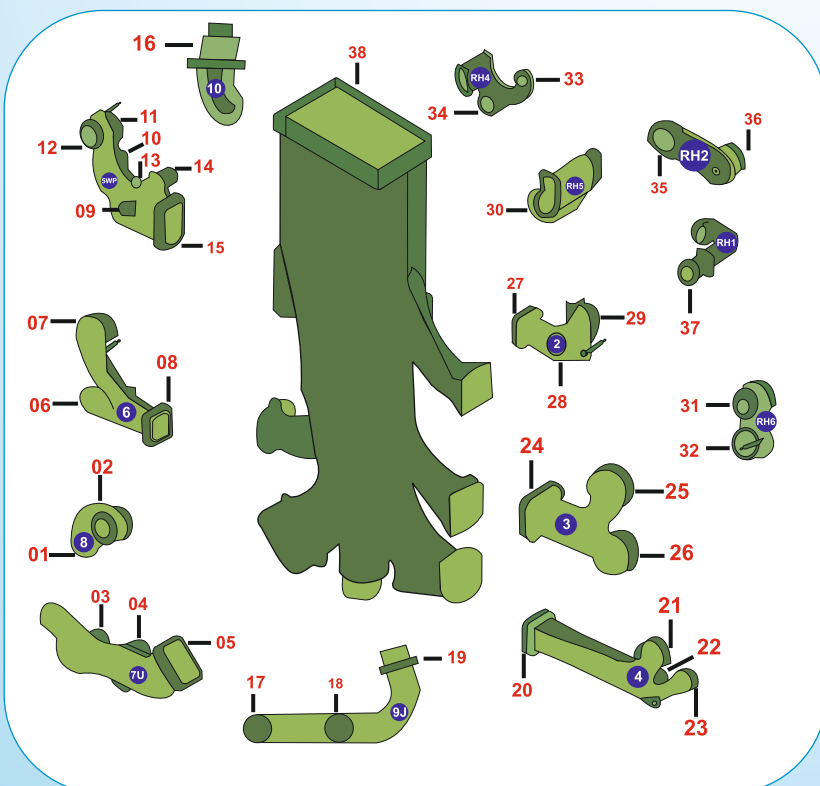
RR H1



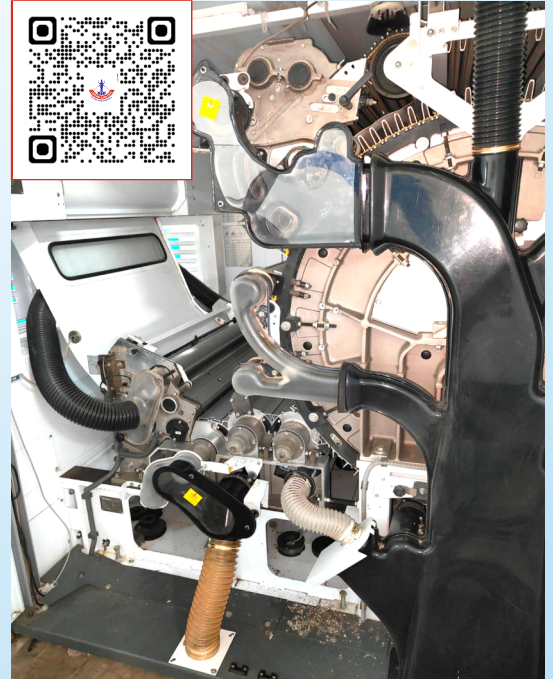
RR H2



TC CARDING Q KIT RUBBER RINGS DRAWING NUMBER
(Suitable for TC 03, TC 53, TC 06, TC 07, TC 08, TC 10, TC 11, TC 12
TC 15, TC 19i & TC 26i)



LICKERIN WASTE CONVERSION KIT



FLAT + SFL + SFD AND
CYLINDER WASTE COMBIND

TC CARDING TRIPLE LICKERIN CONVERSION KIT



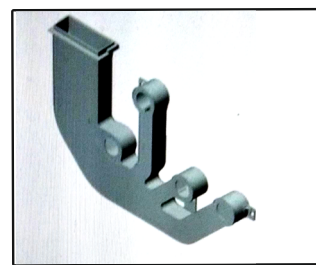
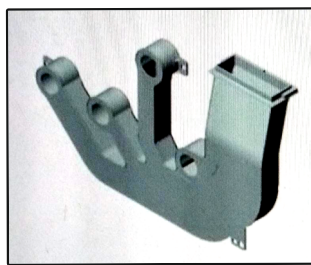
TRIPLE LICKERIN CARD CONVERSION KIT



CARD WASTE STUDY MACHINE SUITABLE FOR LC, DK, & TC CARDING



BLOW ROOM DUCTS LHS AND RHS FOR CVT 1, CLC 1, CVT 3 & CLC 3

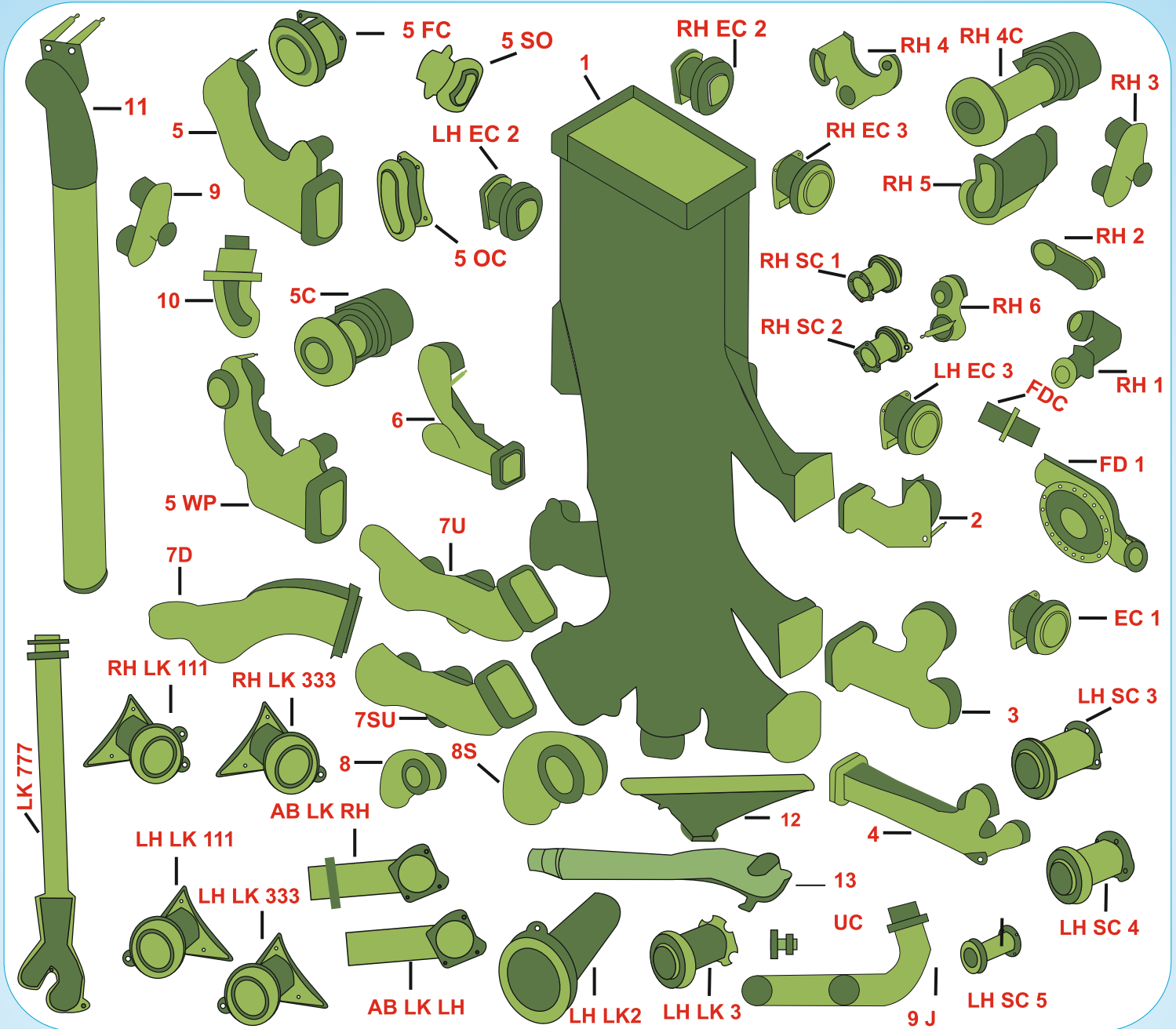


DRAWING NO	TC CARDING PRODUCT DESCRIPTION
TC 1	MAIN DUCT UP WARD
TC 2	LH FLAT SIDE DUCT
TC LH EC3	LH FRONT FLAT CONNECTOR
TC 3	LH SFD SUCTION DUCT
TC EC1	END CONNECTOR (SFL & SFD)
TC 4	LH DOFFER SIDE DUCT
TC LH SC 3	LH STRIPPER MIDDLE CONNECTOR
TC LH SC 4	LH STRIPPER LOWER CONNECTOR
TC LH SC 5	LH STRIPPER UPPER CONNECTOR
TC 5	LH BACK FLAT SIDE DUCT
TC 5WP	LH BACK FLAT SIDE DUCT SEPARATE
TC 5C	LH BELT WASTE COLLECTOR
TC 5FC	LH FLAT WASTE CONNECTOR
TC 5OC	LH FLAT OVAL CONNECTOR
LH EC 2	LH FLAT ZONE END CONNECTOR
TC 6	LH SFL SUCTION DUCT
TC 7SU	LH SINGLE LICKERIN SUCTION DUCT UP WARD
TC 7D	LH TRIPLE LICKERIN SUCTION DUCT DOWN WARD
TC 7U	LH TRIPLE LICKERIN SUCTION DUCT UP WARD
TC LH LK111	LH SINGLE LICKERIN FIRST LICKERIN SIDE CONNECTOR
TC RH LK111	RH SINGLE LICKERIN FIRST LICKERIN SIDE CONNECTOR
TC LH LK333	LH TRIPLE LICKERIN FIRST LICKERIN SIDE CONNECTOR
TC RH LK333	RH TRIPLE LICKERIN FIRST LICKERIN SIDE CONNECTOR
TC LK 777	LICKERIN WASTE SEPARATE CONVERSION KIT

DRAWING NO	TC CARDING PRODUCT DESCRIPTION
TC LH LK2	LH TRIPLE LICKERIN SECOND LICKERIN SIDE CONNECTOR
TC LH LK3	LH TRIPLE LICKERIN THIRD LICKERIN SIDE CONNECTOR
TC 8	LH BACK LICKERIN
TC 8S	LH BACK LICKERIN (TC 5, TC 51)
TC 9	LH CHUT COLLECTOR
TC 9J	LH CYLINDER UNDER CASING SIDE DUCT
TC UC	UNDER CASING SIDE CONNECTOR
TC 10	FLAT WASTE COLLECTOR SEPARATE DUCT
TC 11	FLAT WASTE SEP DOWN WARD DUCT
TC 12	UNDER DOFFER SIDE DUCT
TC 13	DOFFER SIDE WASTE COLLECTOR
FD1	CHUTE FAN DUCT
FDC	CHUTE FAN DUCT CONNECTOR
TC RH1 & RH2	RH LICKERIN SIDE CONVERSION KIT
TC RH 3	RH CHUT COLLECTOR
TC RH 4	RH FLAT SIDE DUCT
TC 4C	RH BELT WASTE COLLECTOR
TC RH EC 2	RH FLAT ZONE END CONNECTOR
TC RH 5	RH BACK FLAT SIDE DUCT
TC RH EC 3	RH FRONT FLAT CONNECTOR
TC RH 6	RH STRIPPER SIDE DUCT
TC SC 1	RH STRIPPER CONNECTOR
TC SC 2	RH STRIPPER CONNECTOR
TC CD	COILER SIDE DUCT

TC CARDING SUCTION DUCTS

(Suitable for TC 03, TC 53, TC 06, TC 07, TC 08, & TC 51 CARDS)



TC CARDING WASTE COLLECTION STUDY DUCTS

(Suitable for TC 03, TC 53, TC 06, TC 07, TC 08 & TC 51 CARDS)

DRAWING NO : TC 2WC	DRAWING NO : TC 3WC	DRAWING NO : TC 5WC	DRAWING NO : TC 6WC	DRAWING NO : TC 7UWC
				
LH FLAT SIDE WASTE STUDY DUCT	LH SFD WASTE STUDY DUCT	LH BACK FALT WASTE STUDY DUCT	LH SFL WASTE STUDY DUCT	LH LICKERIN SIDE WASTE STUDY DUCT

<p>DRAWING NO : TC 1</p>  <p>MAIN DUCT UP WARD</p>	<p>DRAWING NO : TC 2</p>  <p>LH FLAT SIDE DUCT</p>	<p>DRAWING NO : TC 3</p>  <p>LH SFD SUCTION DUCT</p>	<p>DRAWING NO : TC 4</p>  <p>LC DOFFER SIDE DUCT</p>
---	---	--	---

<p>DRAWING NO : TC 5</p>  <p>LH BACK FLAT SIDE DUCT</p>	<p>DRAWING NO : TC 5WP</p>  <p>LH BACK FLAT SIDE DUCT SEPARATE</p>	<p>DRAWING NO : TC 6</p>  <p>LH LICKERIN SIDE DUCT</p>	<p>DRAWING NO : TC 7U</p>  <p>LH TRIPLE LICKERIN SUCTION DUCT UP WARD</p>
--	---	--	--

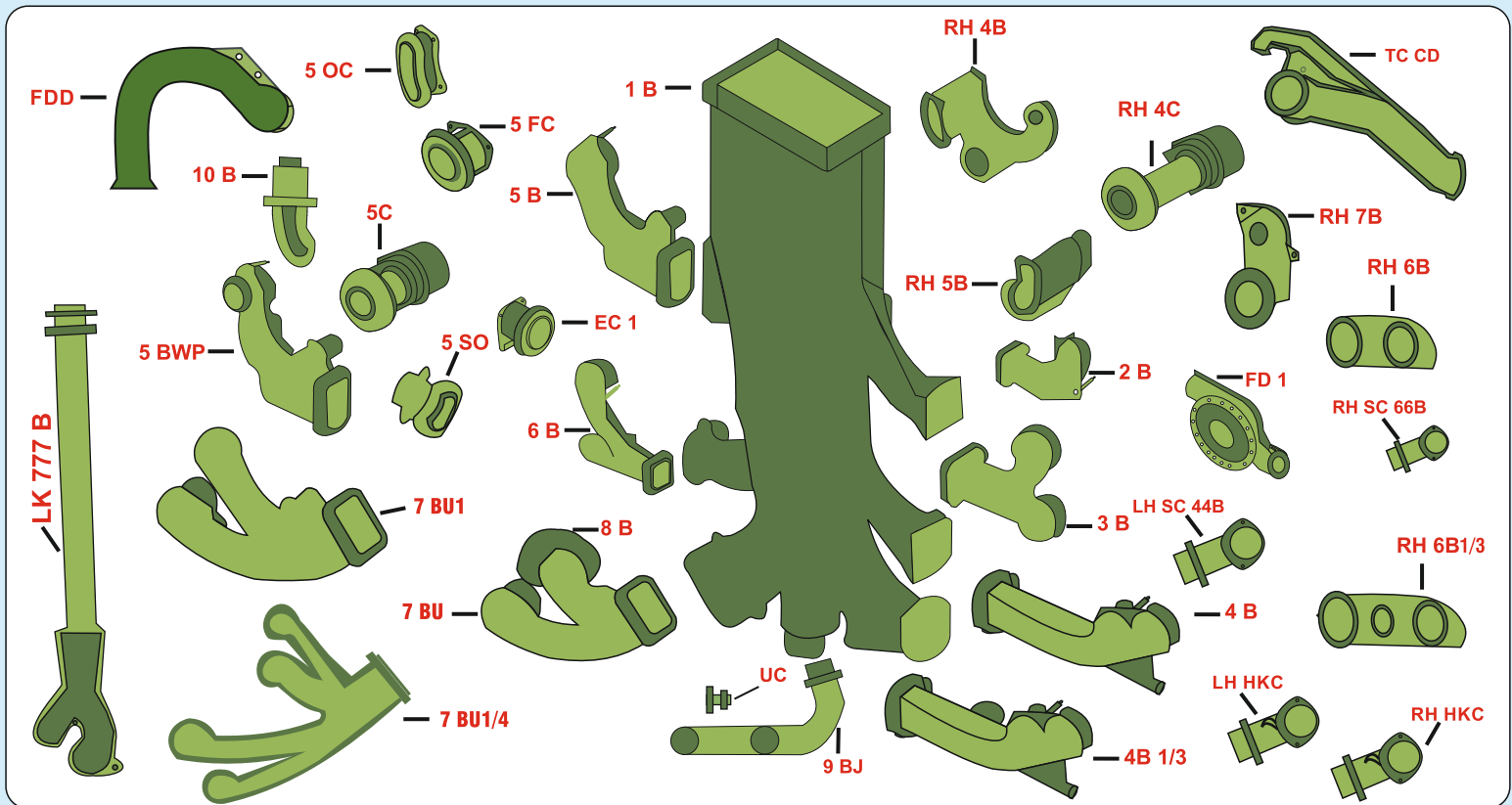
<p>DRAWING NO : TC 7SU</p>  <p>LH SINGLE LICKERIN SIDE UPWARD DUCT</p>	<p>DRAWING NO : TC 8</p>  <p>LH BACK LICKERIN</p>	<p>DRAWING NO : TC 8S</p>  <p>LH BACK LICKERIN</p>	<p>DRAWING NO : TC 9J</p>  <p>LH CYLINDER UNDER CASTING SIDE WARD</p>
---	--	--	---

<p>DRAWING NO : TC 10</p>  <p>FLAT WASTE COLLECTOR SEPARATE DUCT</p>	<p>DRAWING NO : TC RH 1</p>  <p>RH SINGLE LICKERIN SIDE DUCT</p>	<p>DRAWING NO : TC RH 2</p>  <p>RH SINGLE LICKERIN VL SIDE DUCT</p>	<p>DRAWING NO : TC RH 6</p>  <p>RH STRIPPER SIDE DUCT</p>
---	---	---	--

<p>DRAWING NO : TC RH4</p>  <p>RH FLAT SIDE DUCT</p>	<p>DRAWING NO : TC RH5</p>  <p>RH BACK FLAT SIDE DUCT</p>	<p>DRAWING NO : TC LK777</p>  <p>LICKERIN WASTE SEPARATE CONVERSION KIT</p>	<p>DRAWING NO : TC RH EC3, EC1, TC4C, TC5C</p>  <p>TC CARD CONNECTORS</p>
---	--	---	--

TC CARDING SUCTION DUCTS

(Suitable for TC 10,TC11,TC12 TC15 & TC19I CARDS)



DRAWING NO	TC CARDING PRODUCT DESCRIPTION	DRAWING NO	TC CARDING PRODUCT DESCRIPTION
TC 1 B	MAIN DUCT UP WARD	TC 7 BL	LH LICKERIN SIDE DUCT
TC 2 B	LH FLAT SIDE DUCT	TC 8 B	LH BACK LICKERIN
TC 3 B	LH SFD SUCTION DUCT	TC 9BJ	LH CYLINDER UNDER CASING SIDE DUCT
TC EC1	END CONNECTOR (SFL & SFD)	TC UC	UNDER CASING SIDE CONNECTOR
TC 4 B	LH DOFFER SIDE DUCT	TC 10B	FLAT WASTE COLLECTOR SEPARATE DUCT
TC 5 B	LH BACK FLAT SIDE DUCT	FD1	CHUTE FAN DUCT
TC 5 BWP	LH BACK FLAT SIDE DUCT SEPARATE	FDC	CHUTE FAN DUCT CONNECTOR
TC 5C	LH BELT WASTE COLLECTOR	TC RH 4B	RH FLAT SIDE DUCT
TC 5FC	LH FLAT WASTE CONNECTOR	TC 4C	RH BELT WASTE COLLECTOR
TC 5OC	LH FLAT OVAL CONNECTOR	TC RH 5B	RH BACK FLAT SIDE DUCT
TC 5 SO	LH SMALL OVEL CONNECTOR	TC RH 6B	RH STIPPER SIDE DUCT
TC 6 B	LH SFL SUCTION DUCT	TC RH 7B	RH BACK SUCTION COLLECTOR
TC 7BU	LH LICKERIN SUCTION DUCT	TC LH SC 44 B	LH STRIPPER CONNECTOR
TC 7 BU 1/4	LH LICKERIN SIDE DUCT	TC 777 B	LICKERIN WASTE SEPARATE CONVERSION KIT

LICKERIN WASTE CONVERSION KIT



FLAT + SFL + SFD AND CYLINDER WASTE COMBIND

TC CARDING WASTE COLLECTION STUDY DUCTS

(Suitable for TC 10, TC11, TC 12, TC 15 & TC19I CARDS)

<p>DRAWING NO : TC 2BWC</p>  <p>LH FLAT SIDE WASTE STUDY DUCT</p>	<p>DRAWING NO : TC 3BWC</p>  <p>LH SFD WASTE STUDY DUCT</p>	<p>DRAWING NO : TC 5BWC</p>  <p>LH BACK FALT WASTE STUDY DUCT</p>	<p>DRAWING NO : TC 6BWC</p>  <p>LH SFL WASTE STUDY DUCT</p>	<p>DRAWING NO : TC 7BU1WC</p>  <p>LH LICKERIN SIDE WASTE STUDY DUCT</p>
---	--	--	--	--

<p>DRAWING NO : TC 1B</p>  <p>MAIN DUCT UP WARD</p>	<p>DRAWING NO : TC 2B</p>  <p>LH FLAT SIDE DUCT</p>	<p>DRAWING NO : TC 3B</p>  <p>LH SFD SUCTION DUCT</p>	<p>DRAWING NO : TC 4B</p>  <p>LH FLAT SIDE DUCT (FLAT WAST SEPARATE)</p>
--	--	---	--

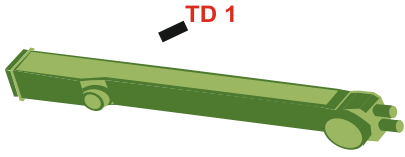
<p>DRAWING NO : TC 5B</p>  <p>LH BACK FLAT SIDE DUCT</p>	<p>DRAWING NO : TC 5BWP</p>  <p>LH BACK FLAT SIDE DUCT SEPARATE</p>	<p>DRAWING NO : TC 6B</p>  <p>LH SFL SUCTION DUCT</p>	<p>DRAWING NO : TC 7BU1</p>  <p>LH LICKERIN SIDE DCUT</p>
---	--	---	--

<p>DRAWING NO : TC 7BU</p>  <p>LH LICKERIN SIDE DCUT</p>	<p>DRAWING NO : TC 7BU 1/4</p>  <p>LH LICKERIN SIDE DUCK</p>	<p>DRAWING NO : TC 8B</p>  <p>LH BACK LICKERIN</p>	<p>DRAWING NO : TC 8BS</p>  <p>LH BACK LICKERIN</p>
--	--	---	--

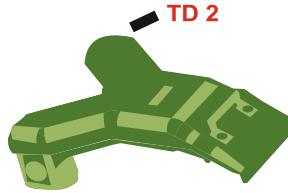
<p>DRAWING NO : TC 9JB</p>  <p>LH CYLINDER UNDER CASTING SIDE DUCT</p>	<p>DRAWING NO : TC 10B</p>  <p>FLAT WASTE COLLECTOR SEPARATE DUCT</p>	<p>DRAWING NO : TC RH4B</p>  <p>RH FLAT SIDE DUCT</p>	<p>DRAWING NO : TC RH5B</p>  <p>RH BACK FLAT SIDE DUCT</p>
---	--	---	---

<p>DRAWING NO : TC RH6B</p>  <p>RH STIPPER SIDE DUCT</p>	<p>DRAWING NO : TC RH7B</p>  <p>RH BACK SUCTION COLLECTOR</p>	<p>DRAWING NO : TC LK 777B</p>  <p>LICKERIN WASTE SEPARATE CONVERSION KIT</p>	<p>DRAWING NO : TC CD</p>  <p>COILER SIDE DUCT</p>
---	--	---	---

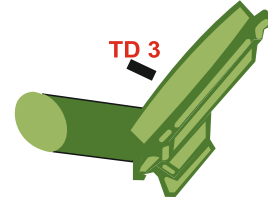
TD DRAW FRAME DUCTS



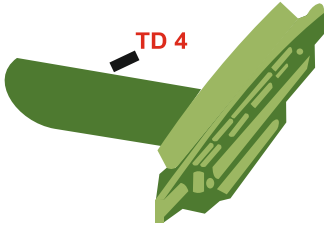
TD 1



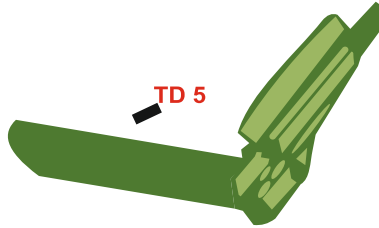
TD 2



TD 3



TD 4



TD 5



TD 6

SFCS

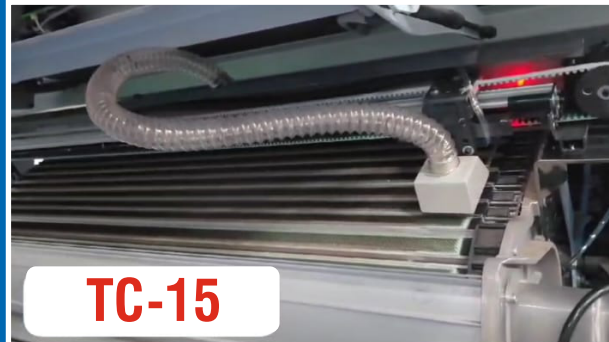
SMART FLAT TOPS CLEANING SOLUTIONS

SUITABLE FOR ALL TYPES OF 5th GENERATION CARDING MACHINE

(40 inches, 50 inches & 60 inches)



DK 780



TC-15



C 60



SMART FLAT TOPS CLEANING SOLUTIONS
(Automatic Flat Tops Air Cleaning System)



MURACO CARD CLOTHING BROCHURE



LAKSHMI CARD COPS TECHNO ENGINEERING

SF. No.334/3, PRK Nagar, Irugur,

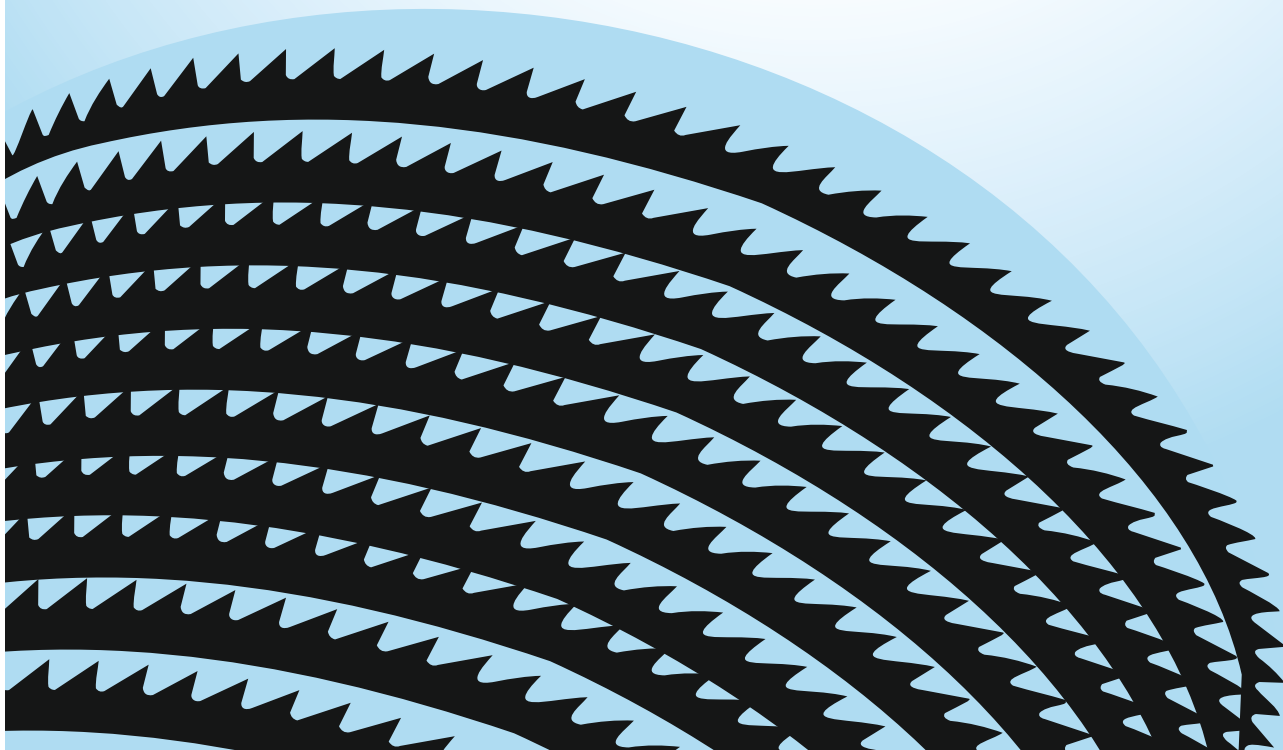
Coimbatore - 641 103,INDIA. **Mobile : +91 98439 33808**

E-mail: lakshmicardcops@gmail.com | lcctecbe@gmail.com

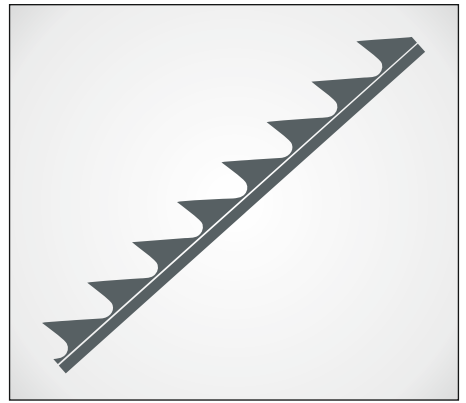
Web: www.lakshmicardcops.com



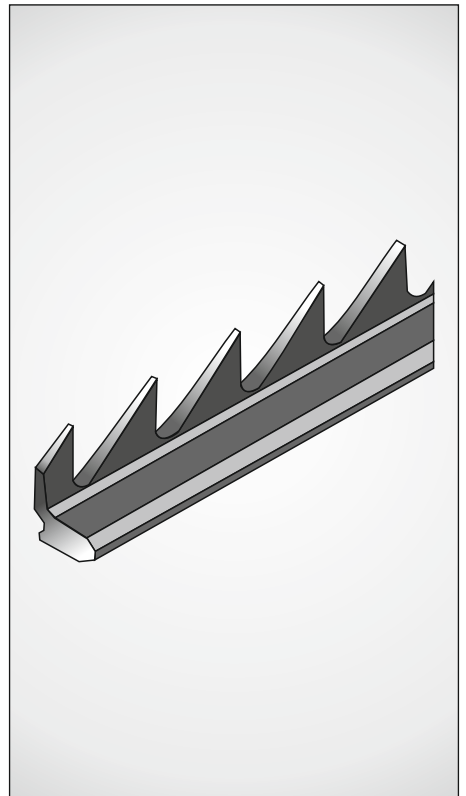
MURACO CARD CLOTHING SOLUTIONS COMPANY



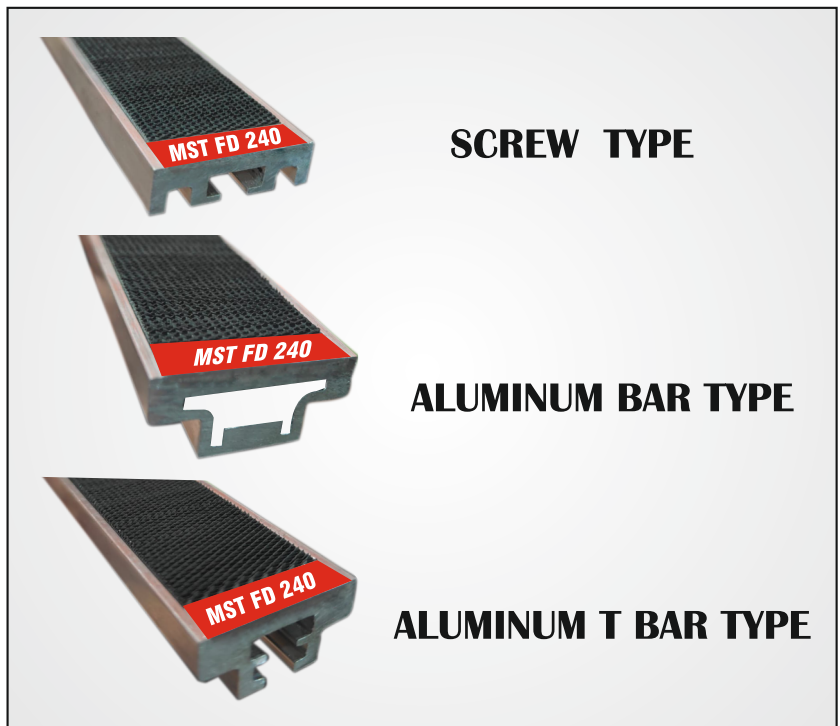
GROOVED LICKERIN WIRES					
SPECIFICATION	HEIGHT	ANGLE	TPI	PITCH	RIB
M3 G 5500	5.5	0	3	8.8	1.17
M4 G 5505	5.5	5	4	6.0	1.17
M5 G 5510	5.5	10	5	5.0	1.17
M6 G 6015	6.0	15	6	4.0	1.50



INTERLOCKING LICKERIN WIRES					
SPECIFICATION	HEIGHT	ANGLE	TPI	PITCH	RIB
M5 8V 5010	5	10	5	5.00	3.17
M4 8V 5005	5	5	4	6.00	3.17
M3 8V 5000	5	0	3	8.80	3.17
M5 12V 5005	5	5	5	5.00	2.12
M5 12V 5010	5	10	5	5.00	2.12
M8 12V 5005	5	5	8	3.15	2.12
M8 12V 5010	5	10	8	3.15	2.12
M10 12V 5010	5	10	10	2.54	2.12
M10 16V 5020	5	20	10	2.54	1.58
M13 16V 5020	5	20	13	1.95	1.58



STATIONARY TOPS	
SPECIFICATION	PPSI
MST FD 6	60
MST FD 9	90
MST FD 14	140
MST FD 24	240
MST FD 32	320
MST FD 42	420
MST FD 55	550
MST FD 62	620
MST FD 72	720
MST FD 80	800



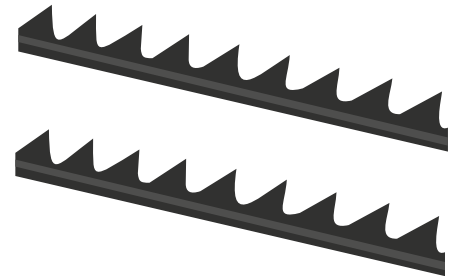
RE DIRECTING WIRES

SPECIFICATION	HEIGHT	ANGLE	TPI	PITCH	RIB
M CS 4	4.0	28	7.7	3.2	1.80
M CS 6	3.5	28	8.0	3.2	1.0



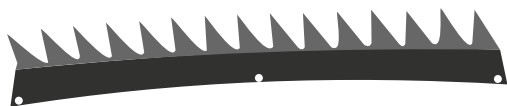
BLOWROOM WIRES

SPECIFICATION	HEIGHT	ANGLE	TPI	PITCH	RIB
MBL TR13	7.5	10	5	15.0	4.23
MBL TR13HP	7.5	10	4	7.5	4.23
MBL MVCVT2	6.0	20	4	7.8	4.23
MBL VCVT3	5.6	20	5	6.3	3.17
MBL 20/10	10.0	10	1.27	20	2.50
MBL 10/10	10.0	10	2.54	10	2.50

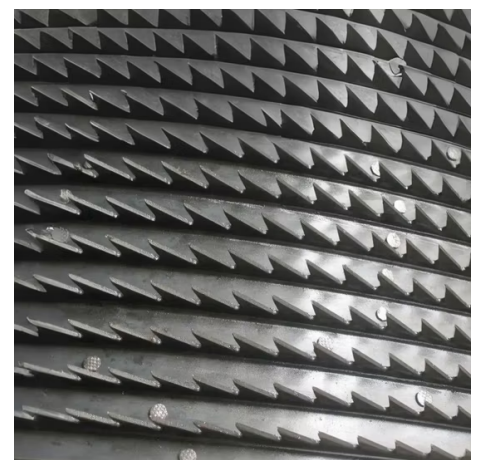


OPEN END WIRES

SPECIFICATION	HEIGHT	ANGLE	PITCH	RIB
OS 21	3.60	15	3.25	0.90
OS 21A	4.10	15	3.25	0.94
OK 61	3.60	15	4.00	0.90
OK 40	3.60	25	2.62	0.90
OK 37	3.60	- 10	4.70	0.90
OK 36	3.06	0	4.00	0.90



L type wire for Hard waste opening machine





MURACO CARD CLOTHING SOLUTIONS COMPANY

No 10 A, (9/10A), Kalaignar Colony, Ponvizha Nagar, Irugur,
Coimbatore - 641103. Tamil Nadu, INDIA
Email : muracocardclothing@gmail.com
Mobile : 98439 33808